

HZM



HZM 930T TELESCOPIC LOADER

Cummins
97kW
ENGINE POWER

1.3m³
STND. BUCKET



Introducing the HZM 930T Telescopic Front End Loader, a game-changer in South Africa. With its advanced telescopic boom, this machine offers unmatched reach and versatility.

Powered by a 97kW Cummins Engine and equipped with a robust hydraulic system, the 930T delivers impressive performance, efficiency, and durability. Whether you're moving heavy loads, digging, or excavating, this loader will provide you with the power you need to get the job done quickly and safely.



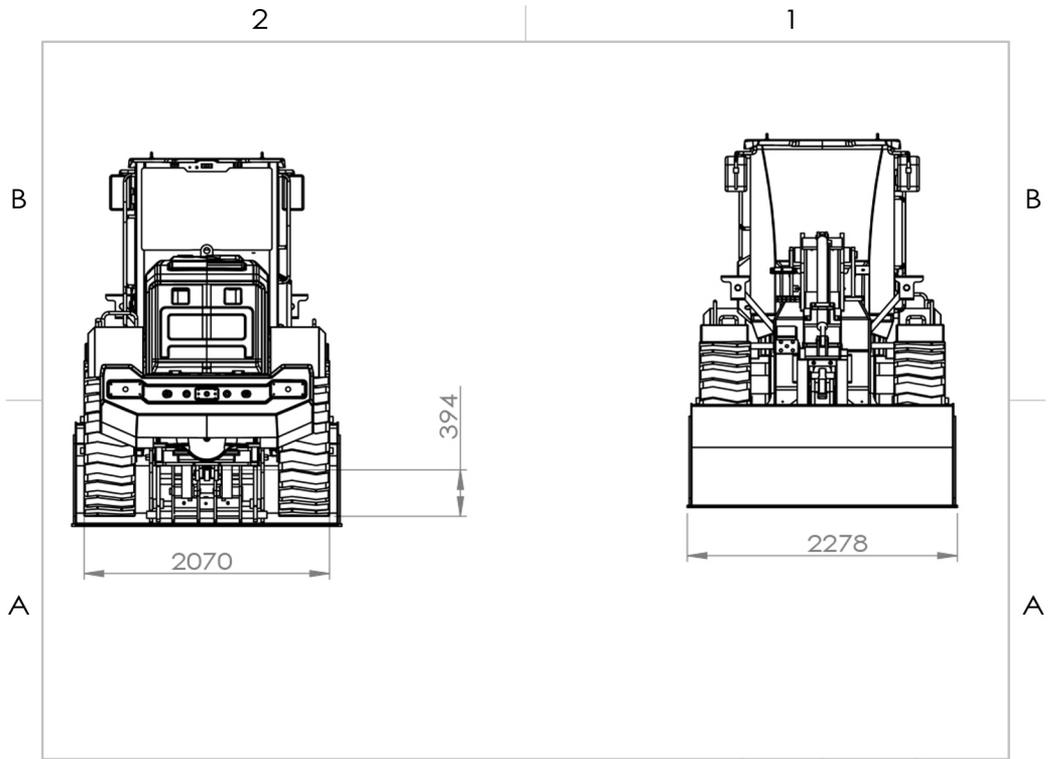
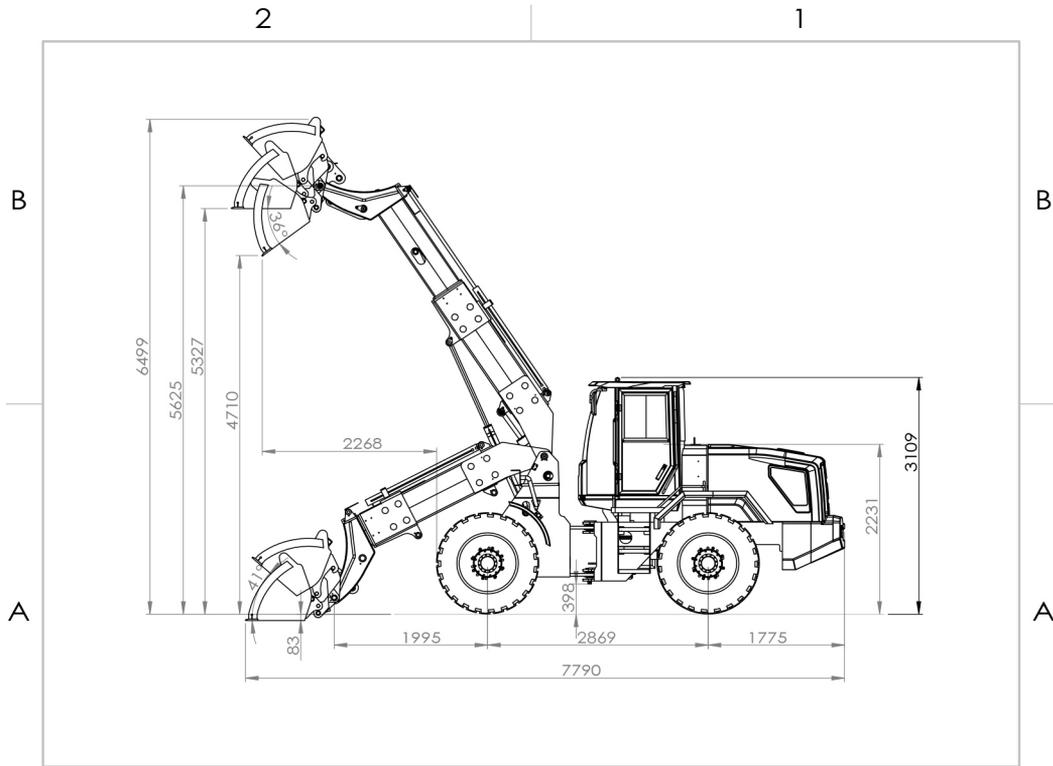


SPECIFICATIONS

Specification	Operate weight(kg)	8600
	L×W×H (mm)	7790x2100x3100
	Rated bucket capacity(m ³)	1.3m ³
	Rated load(kg)	3000
	Max. dump height (mm)	4700
	Max.lift height (mm)	5600
	Min.Ground clearance(mm)	360-380
Engine	Model	CUMMINS 6BT5.9-C130
	Type	Direct injection, Horizontal, Water-cooled, Six stroke
	Rated power (kw)	97kW(130hp)
	Rated speed(r/min)	2400
Transmission system	Model of torque converter	320
	Gearbox type	Fixed-spindle power shift
	Gear shift	4 gears ahead,2 gear astern
Hydraulic system	Working pressure	16Mpa
	Boom lifting time	4.8s
	Fuel tank capacity	80L
	Working pump	2100(100ML/R)
	Max.Hydraulic flow	220L/MIN
Steering system	Type	hydraulic steering
	Min turning radius(mm)	6400
Tire	Standard tires	17.5-25

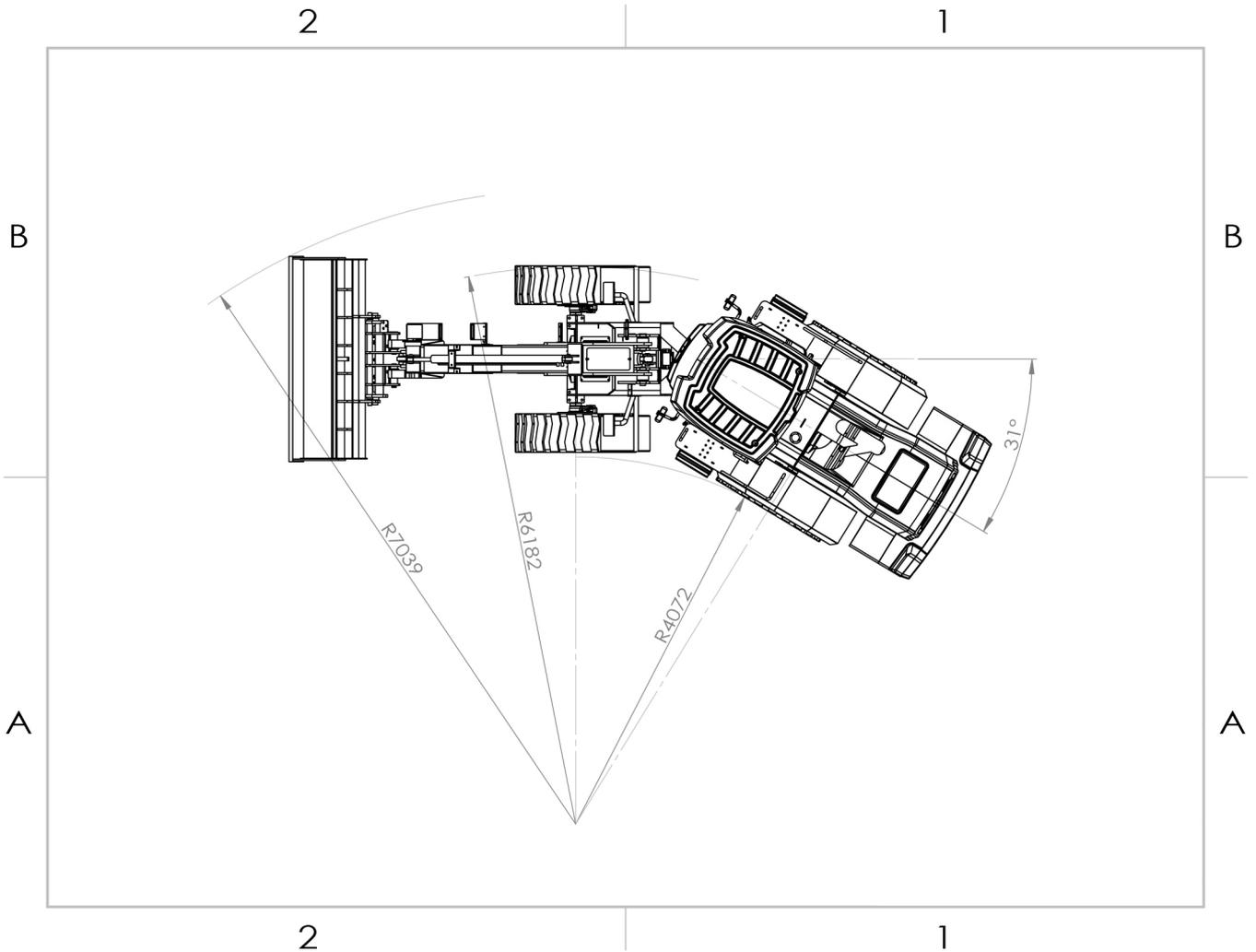


SPECIFICATIONS





SPECIFICATIONS





KEY FEATURES



CUMMINS ENGINE



HYDR. TORQUE CONVERTER



6-SPEED TRANSMISSION



UPGRADED MAIN VALVE



UPGRADED PUMPS



UPGRADED SOLENOIDS



NEW CABING SUSPENSION



DUAL COOLING SYSTEM



220V WATER PRE-HEATER



CABIN A/C VENTILATION



AIR BRAKE BOOSTERS



VARTA BATTERIES



KEY FEATURES



NEW CAB DESIGN



NEW ENGINE CAB DESIGN



NEW COUNTERWEIGHT



REAR WIPER SYSTEM



MULTI-FUNCTION JOYSTICK



GP BUCKET



TELESCOPIC HYDRAULICS



TELESCOPIC BOOM



UPGRADED CAB LADDER



UPGRADED AXLES



CENTRAL ARTICULATION



REAR VIEW CAMERA



KEY FEATURES



17.5-25 INDUSTRIAL



REAR FENDERS



NEW CAB DOOR DESIGN



SIDE WINDOWS



NEW CAB DESIGN



USB & 12V CHARGING PORT



ACCESSORY & CUP HOLDERS



NEW CAB STEREO



FRONT WINDOW DEFROSTER



ADJUSTABLE SEAT



ADJUSTABLE STEERING



FRONT WORKING LIGHTS